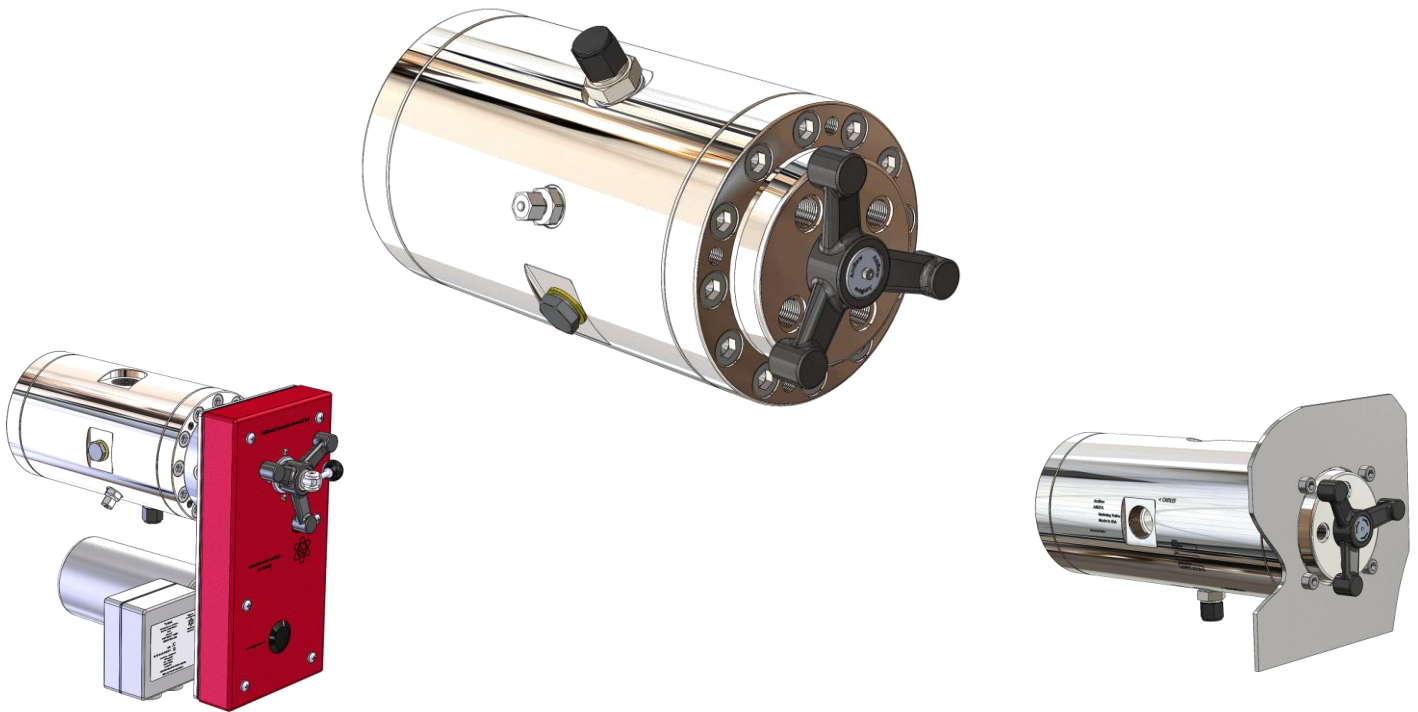




TECHNICAL DATA SHEET

AMFLOW® AM37B **FLOW CONTROL VALVE**



Part Number: 5050-05

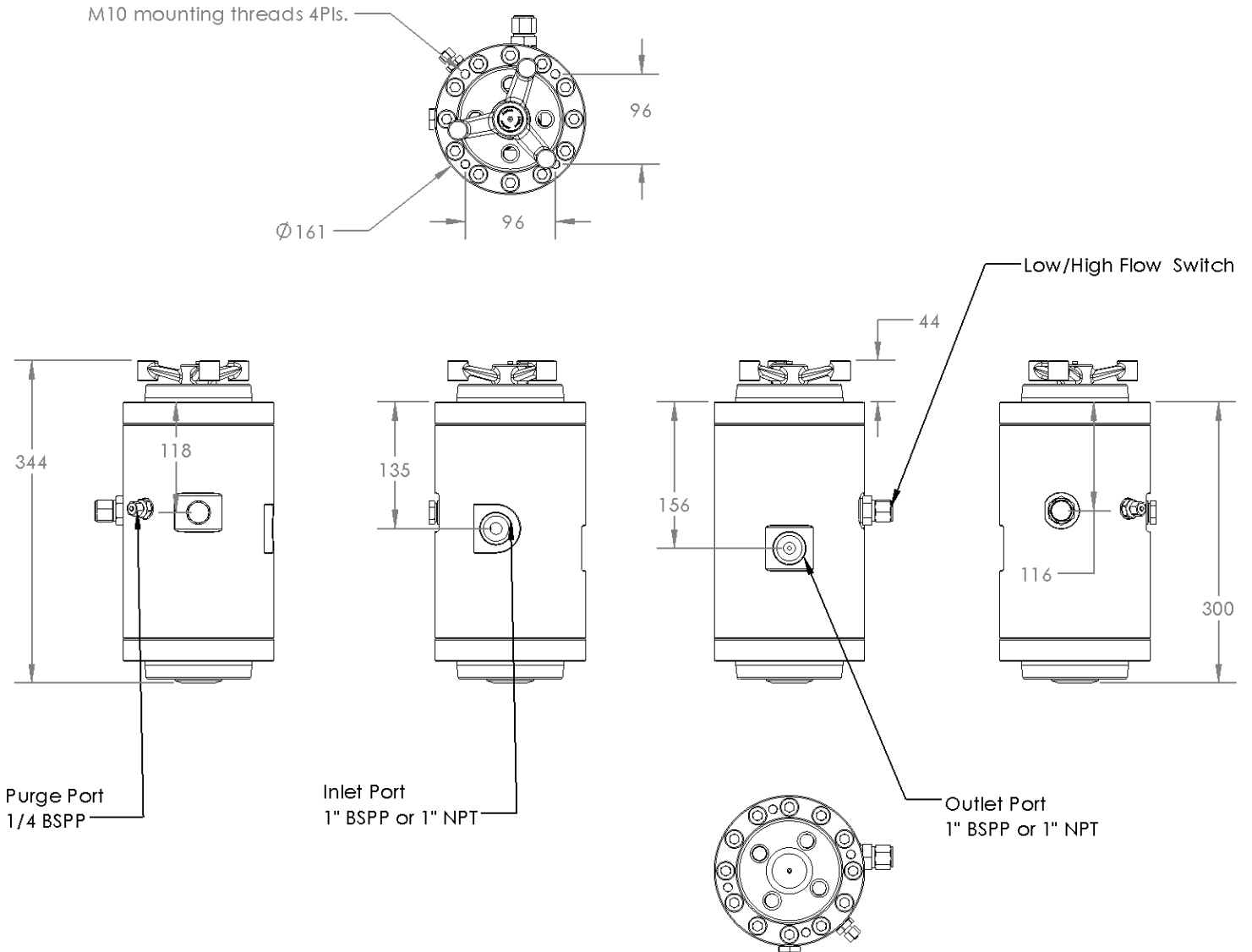
(Reference Ordering Guide on page 6 for part number options)

Standards and Patents:

Material traceability certificates, post processes, and As-Built documents shall be maintained on file with **Amflow®** for a period of not less than TEN years.

ATEX DIRECTIVE 2014/34/EU	
CE 0891	Ex II 2G Ex h T6
PED 2014/68 EU	SEP CATEGORY II MODULES A, D1 & E1
US PATENTS 5427139 * 5494070 * 6189564 B1	EU PATENT 1110132

Amflow® reserves the right to amend or change specifications without prior notice



STANDARD 1" BSPP PORT LOCATION & CONFIGURATION
OPTIONAL 1" FNPT ARE LOCATED IDENTICAL TO 1" BSPP

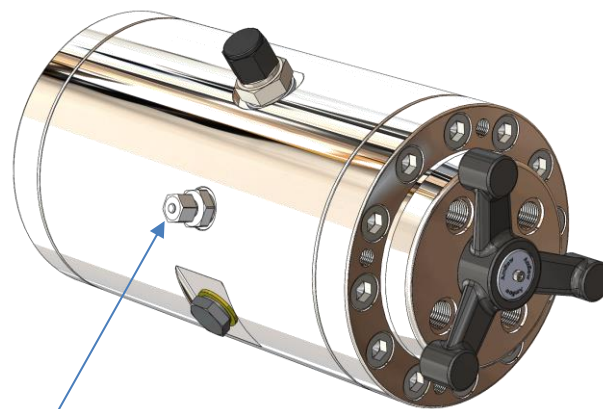


Design Features:

- Pressure Vessel Materials of Construction: Standard is 316/316L Stainless Steel & Titanium (6AL-6V-2Sn)
- Wetted Materials of Construction: 316/316L & Titanium (6AL-4V) & (6AL-6V-2Sn)
- Operating Pressure: 34.5 bar (500 psi) to 414 bar (6,000 psi)
- **Inlet & outlet pressure must be stable (+/- 3%) or mounted to actuator for proper valve operation**
- Pressure drop across the AM37B valve is 34.5 bar (500 psi)
- Ambient Operating Temperature: -15°C (5°F) to 232°C (450°F)
- Standard Inlet & Outlet Ports: 1" FBSPP or FNPT
- Purge Port: 1/4" FBSPP
- Turndown Ratio: Up To 15:1
- Weight: 44.5kg (98 lbs.)
- Ceramic pins & seats for wear resistance
- Standard wetted Seals are NBR & PTFE
- FFKM Seals are optional
- Low maintenance
- Very low torque is required for flow rate adjustment. Easy hand operation of flow adjustment knob

Purge Port:

Incorporated into the **Amflow**® AM37B Flow Control Valve is a purge port that allows the user to direct a high flow stream of chemical across the fixed orifice to flush any chemical residue that might accumulate over time. This feature reduces the necessity of opening the valve and cleaning the orifices manually.



Purge Port
1/4" Tube Connection

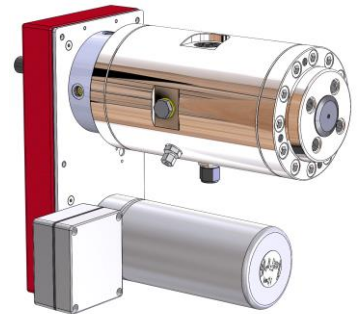
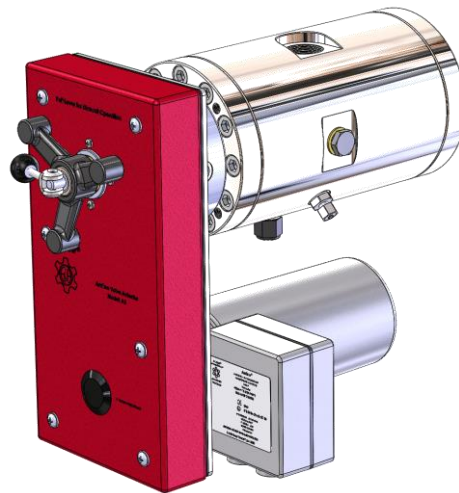


PANEL MOUNTING & AUTOMATED OPTIONS

Panel Mount Dimensions



ATEX/IECEx Actuated Options



AM37B
Shown with
Amflow® A3 ATEX/IECEx Certified
24 VDC Actuator with local manual control



1. FLOW RATES		
1.01 Flow rate range *	MINIMUM: 1,200 LPH	MAXIMUM: 6,600 LPH
1.02 Operating pressure range – 316L**	MINIMUM: 34.5 bar (500 PSI)	MAXIMUM: 414 bar (6,000 PSI)
1.03 Operating pressure range – 17-4 PH SS **	MINIMUM: 34.5 bar (500 PSI)	MAXIMUM: 690 bar (10,000 PSI)
1.04 Operating pressure range – Titanium**	MINIMUM: 34.5 bar (500 PSI)	MAXIMUM: 800 bar (11,600 PSI)
1.05 Hydrostatic pressure test – 316L	620 bar (9,000 PSI)	
1.06 Hydrostatic pressure test – 17-4 PH SS	1,034 bar (15,000 PSI)	
1.07 Hydrostatic pressure test – Titanium	1,200 bar (17,400 PSI)	
1.08 Pressure drop ΔP across the valve	MINIMUM: 34.5 bar (500 PSI)	
1.09 Ambient operating temperature	MINIMUM: -15°C (5°F)	MAXIMUM: 232°C (450°F)
2. TURNDOWN RATIO ***		
	Up to 15:1	
3. ACCURACY & REPEATABILITY		
	± 3%	
4. PORT CONFIGURATION		
	Standard Inlet/Outlet Ports	Standard Purge Ports
4.01 Positioned as shown on picture	1" FBSPP or FNPT	1/4" FBSPP
5. CONSTRUCTION MATERIALS		
	Standard Material	Special Order
5.01 Pressure vessel & external parts	316/316L & Titanium (6AL-6V-2Sn)	Duplex 2205, Super Duplex 2507, 17-4 PH SS & Titanium
5.02 Standard wetted seals	NBR & PTFE	FFKM & PTFE
5.03 Non-Wetted Seals	Viton	Contact Amflow®
6. NOISE		
	Decibels	
6.01	Less than 70 dB	
7. DIMENSIONS		
	Metric	Imperial
7.01 Height (overall)	344 mm	13.54 in.
7.02 Diameter (main body)	161 mm	6.34 in.
8. WEIGHT		
	Metric	Imperial
8.01	44.5 kg	98 lbs
9. PANEL MOUNT REQUIREMENTS		
	Metric	Imperial
9.00 Maximum Panel Thickness	7 mm	0.28 in.
9.01 Mounting Hole Diameter	56 mm	2.25 in.
9.02 Mounting hardware (SHCS)	M10 x 1.50	N/A
NOTES:		
FLOW RATE:		
* Depends on characteristics of media.		
** Operating Pressure: Minimum & Maximum recommended inlet pressure supplied by pump to valve. Inlet & outlet pressure must be stable (+/- 3%) or mounted to actuator for proper valve operation.		
TURNDOWN RATIO:		
*** Turndown ratio can vary dependent upon chemical composition, flow rate, and Δp.		
FILTRATION:		
Filtration to 300 Micron is recommended using Amflow® Simplex Filter products.		



ORDERING GUIDE

PRODUCT NO.	PRODUCT TYPE	PRODUCT CODE NO.	EXTERNAL PARTS MATERIAL	MATERIAL CODE NO.	WETTED SEALS	SEALS CODE NO.	FLOW RATE Max. H ₂ O*	FLOW RATE CODE NO.	PORTS TYPE	PORTS CODE NO.
5050	FLOW CONTROL VALVE	-05	316L	316L	STANDARD SEALS ARE NBR & PTFE	NBR	1,200 – 6,600 LPH	-0	1" FBSPP	-00
			TITANIUM	TGR5					1" FNPT	-02
			DUPLEX 2205	DUPX	FFKM ARE OPTIONAL	FFKM			FLANGES	-FL
			SUPER DUPLEX 2507	SUPX						
			17-4 PH SS	S174						



5050	-05	-316L	-NBR	-0	-00
-------------	------------	--------------	-------------	-----------	------------

EXAMPLE

TO ORDER:

AM37B Flow Control Valve in 316L with NBR Seals, 6,600 LPH Flow Rate, 1" FBSPP Ports

YOU WOULD ORDER #:

5050 – 05 – 316L – NBR – 0 – 00

ORDERING INFORMATION

As the **Amflow**® valve is custom built specifically to meet the end user's criteria, it is critical that **Amflow**® receive certain information when ordering valves. That information should include: the minimum & maximum flow rates, the inlet pressures, temperatures & chemical MSDS or, at a minimum, the specific gravity & viscosity of the chemical to be used with the valves.



Amflow® A&H Enterprises Inc.
World Headquarters

11812 NE 116th St.
Kirkland Washington U.S.A.
98034

Tel: +1.425.883.4040
Fax: +1.425.823.1962
E-Mail: ah@amflow.com



Amflow Norge As
Representing:

Norway, Denmark, Germany, Italy, Sweden, Middle East, United Kingdom & The Netherlands

Prinsens Vei 12
4315 Sandnes, Norway

Tel: +47.922.19.656
Fax: +47.520.00.591
E-Mail: lep@amflow.no



Amflow Controls Asia SDN. BHD.
Representing:

Malaysia, India, Indonesia, Singapore, Thailand & Vietnam

No. 9 Jalan 11/12 46200 Petaling Jaya
Selangor, Malaysia

Tel: +60.12.3323.118
E-Mail: amflowcontrols@gmail.com



Sudiflow Integrated Services, LTD.
Representing:

Nigeria, Angola, Benin, Cameroon, Equatorial Guinea, Gabon, Ghana & Togo

25 Elelenwo Road
Port Harcourt, Nigeria

Tel: +234.803.309.1405
Tel: +234.805.201.2252
E-Mail: sudiflow@yahoo.com
E-Mail: etimbukfrank.sudiflow@yahoo.com

